



Kit Contents			
	Description	Part No	Pcs
1	Shock absorber front	SUS 1X00/2X00	2
2	Dust boot	10216-02	2
3	Plastic spacer	25602-01	4
4	Spring	49180-27	2
5	Top pin spacer	24629-66	2
6	Upper spring seat	25618-41	2
7	M12 lock nut	24626-04	2
8	C-spanner	24639-01	1
9	C-spanner	24639-04	1
10.1	Bracket, left	24650-15	1
10.2	Bracket, right	24650-16	1
11	M8 nut	04777-02	4
12	Öhlins sticker kit	10207-01	1
13	Öhlins owner manual		1

Note!

Please note that there can be small differences between your product and the images in these instructions.

Note!

Please note that during storage and transport, especially at high ambient temperature, some of the oil and grease used for assembly may leak and stain the packaging. This will not cause damage to the product, wipe off the excessive oil or grease with a cloth.

Note!

Before you install this product, check the kit contents. If anything is missing, please contact an Öhlins dealer.

Warning!

Before you install this product, read the Öhlins Owner's manual. This product is an important part of the vehicle and the vehicle stability.

Shock Absorber Kit for Subaru WRX 2021-, VB

SUS MX00S1 front

Mounting Instructions



MOUNTING INSTRUCTIONS

⚠ Warning!

It is advisable to have an Öhlins dealer install the shock absorber.

When installing, read your Vehicle Service Manual.

1

Raise the vehicle and put it on jack stands.

⚠ Warning!

Ensure that it is securely supported.

2

Remove the front wheels.

3

Loosen the bolts for the lower strut and Anti-roll bar attachments.

⚠ Caution!

Support the wheel hubs in an appropriate way on each side of the vehicle so that the brake hoses can not be damaged.

4

Loosen the upper attachments. Remove the original struts from the car.

5

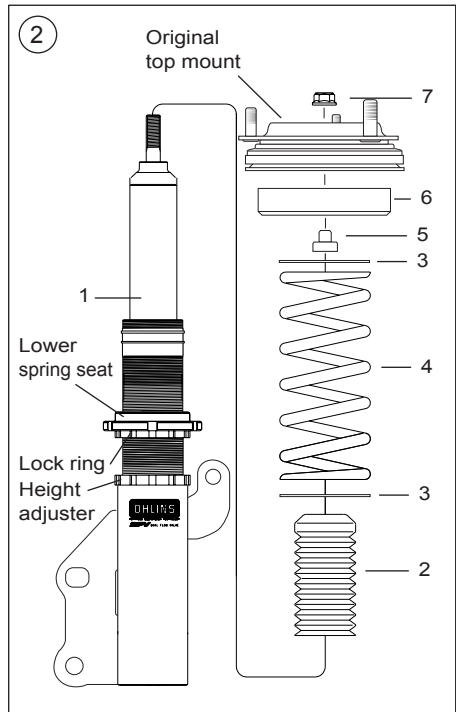
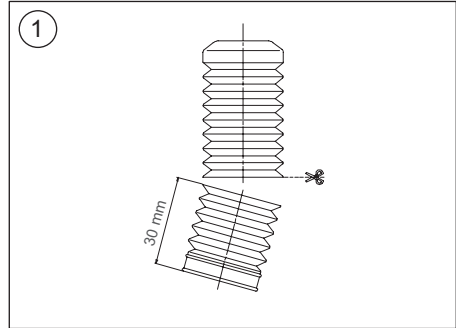
Cut the dust boot 30 mm from the lower end with a pair of scissors according to fig 1.

6

Install the dust boot (2), the plastic spacer (3), the spring (4), the plastic spacer (3), the top pin spacer (5), the upper spring seat (6), the OE top mount and the M12 lock nut (7) according to fig 2. Tighten the lock nut to 40 Nm.

👁 Note!

When tightening the top mount nut, the shock absorber shaft must be held in position with a Allen key.



MOUNTING INSTRUCTIONS

7

Position the height adjuster, lower spring seat and lock ring according to Fig 4 and tighten the spring seat with the c-spanner and the height adjuster by hand (will be torqued when mounted on the car).

8

Install the Öhlins McPherson struts (SUS 1X00 on the LH side, SUS 2X00 on the RH side) to the car and fasten the upper attachment.

9

Install the lower bolts and tighten to OE torque.

10

Fit the brackets (10.1, 10.2) to the shock absorber and secure with the M8 nut (11) according to figure 4.

👁 Note!

Make sure that all bolts are tightened to the correct torque and that nothing fouls or restricts movement of the strut when it is being fully compressed or extended. Test this over the whole steering range from lock to lock.

11

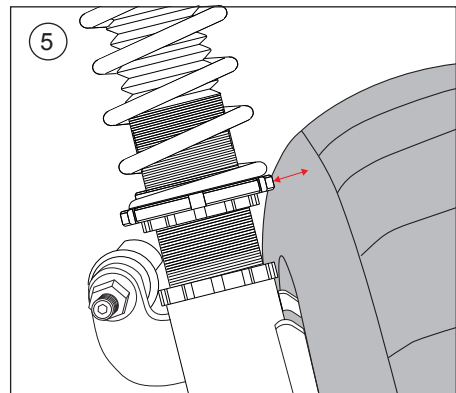
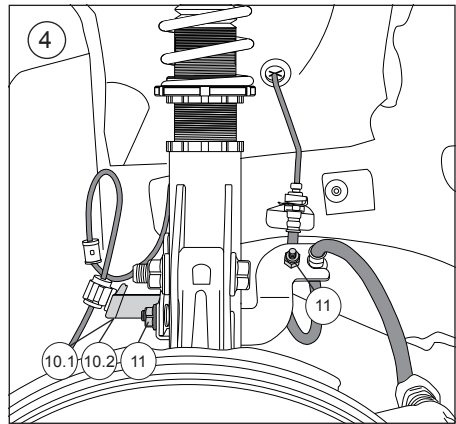
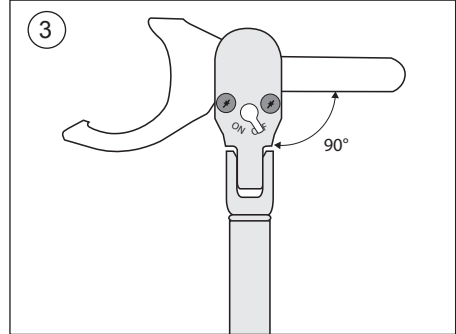
Fit the brake hose to the assigned bracket on the shock absorber. Secure with the M8 nut (11) according to Fig4.

12

With the Öhlins McPherson strut installed on the vehicle, tighten the height adjuster lock ring with the c-spanner to 120 Nm according to Fig. 3.

13

Make sure that all removed parts are reinstalled in the same way as they were before the installation of the Öhlins shock absorber.



👁 Note!

Make sure there is enough clearance between the shock absorber and the tire. If much negative camber is used, the need for spacers may be necessary.

ADJUSTMENTS

⚠ Warning!

Before driving, always make sure that the basic settings made by Öhlins are according to recommended Set-up Data. Read about adjustments and setting up in the Öhlins Owner's Manual before you make any adjustments. Contact an Öhlins dealer if you have any questions about setting up the shock absorber.

The preload is 5 mm from a free length of 180 mm, giving 175 mm installed length, see fig 4.

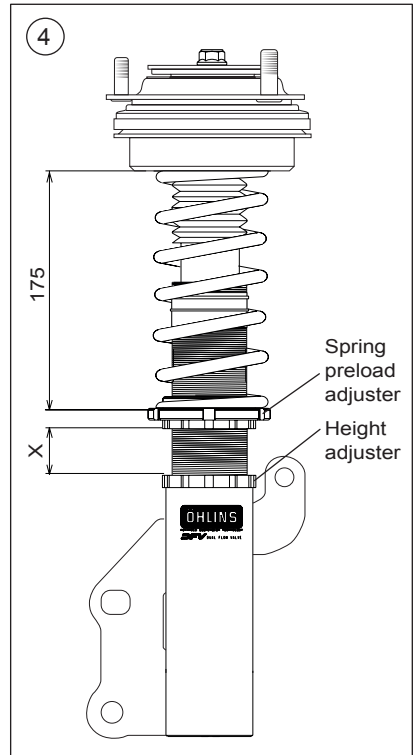
SETUP DATA

Recommended set-up

Setting adjustment		
Track	0-7	clicks
Winding road	5-10	clicks
Street	10-20	clicks
Spring preload	5	mm
Height adjuster (X)	30.5	mm

Recommended spring

49180-27 (90N/mm)



The actual vehicle height

With the spring preload adjuster and height adjuster set to the recommended position, the vehicle is lowered approximately 25 mm when compared to the original suspension. Depending on car model and equipment, the spring preload and vehicle height may vary. As the preload or height adjuster is turned one rotation, the position moves 1.5 mm. Adjust the

spring preload or height adjuster until you have reached your desired ride height. Make sure that the spring is always preloaded.

⚠ Warning!

The spring preload adjustment range is 0-5 mm. Never adjust the spring preload beyond 5mm preload as that may cause the spring to coil bind.

Öhlins products are subject to continuous improvement and development, therefore, although these instructions include the most up-to-date information available at the time of printing, minor updates may occur.

To find the latest information contact an Öhlins distributor. Please contact Öhlins if you have any questions regarding the contents in this document.

Part no. MI_SUS MX00S1_front
Issued 2023-11-08

© Öhlins Racing AB. All rights reserved. Any reprinting or unauthorized use without the written permission of Öhlins Racing AB is prohibited.

Öhlins Racing AB
Box 722
S-194 27 Upplands Väsby, Sweden
Phone +46 8 590 025 00
fax +46 8 590 025 80



www.ohlins.com



👁 Note!

Please note that there can be small differences between your product and the images in these instructions.

👁 Note!

Please note that during storage and transport, especially at high ambient temperature, some of the oil and grease used for assembly may leak and stain the packaging. This will not cause damage to the product, wipe off the excessive oil or grease with a cloth.

Kit Contents

	Description	Part No	Pcs
1	Shock absorber rear	SUS 6X00	2
2	Dust boot	10216-02	2
3	Plastic spacer	25602-01	4
4	Spring	49180-27	2
5	Top pin spacer (12 mm)	24629-64	2
6	Upper spring seat	25618-42	2
7	Lock nut M10	24626-01	2
8	Adjuster	24631-03	2
9	Control wire	24632-03	2
10	Adjustment wheel	24633-01	2
11	M4 Screw	24633-02	2
12	End eye spacer	24629-67	4

Not used

13	Top pin spacer (18 mm)		2
----	------------------------	--	---

👁 Note!

Before you install this product, check the kit contents. If anything is missing, please contact an Öhlins dealer.

⚠ Warning!

Before you install this product, read the Öhlins Owner's manual. This product is an important part of the vehicle and the vehicle stability.

Shock Absorber Kit for Subaru WRX 2021-, VB

SUS MX00S1 rear

Mounting Instructions



MOUNTING INSTRUCTIONS

⚠ Warning!

It is advisable to have an Öhlins dealer install the shock absorber. When installing, read your Vehicle Service Manual.

1

Raise the vehicle and put it on jack stands.

⚠ Warning!

Ensure that it is securely supported.

2

Remove the rear wheels.

3

Remove the lower and the upper attachments and remove the original shock absorbers.

4

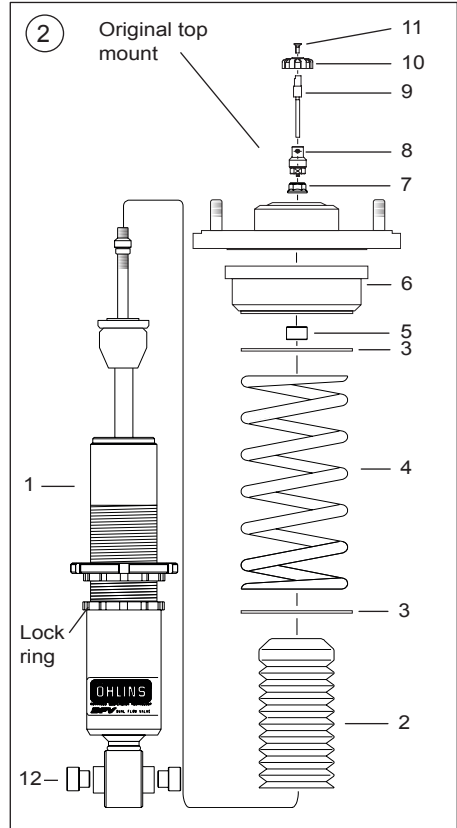
Cut the dust boot 30 mm from the lower end with a pair of scissors according to fig 1.

5

Install the dust boot (2), the plastic spacer (3), the spring (4), the plastic spacer (3), the 12 mm top pin spacer (5), upper spring seat (6), the OE top mount and the M10 flange nut (7) according to fig 2. Tighten the lock nut to 30 Nm. Continue installing the adjuster (8) and fit the control wire (9). Tighten the wire with an allen key.

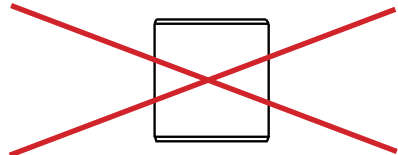
👁 Note!

When tightening the top mount nut, the shock absorber shaft must be held in position with a Allen key.



👁 Note!

Please note that the 18 mm spacer (13) included in the kit is not used.



MOUNTING INSTRUCTIONS

6

Fit the bushing spacers (12) and install the Öhlins shock absorbers on the vehicle. Install the adjustment wheel (10) and the M4 screw (11) and tighten it.

7

Make sure that all removed parts are reinstalled in the same way as they were before the installation of the Öhlins shock absorber.

Note!

Make sure that all bolts are tightened to the correct torque and that nothing fouls or restricts movement of the shock absorber when it is being fully compressed or extended.

ADJUSTMENTS

⚠ Warning!

Before driving, always make sure that the basic settings made by Öhlins are according to recommended Set-up Data. Read about adjustments and setting up in the Öhlins Owner's Manual before you make any adjustments. Contact an Öhlins dealer if you have any questions about setting up the shock absorber.

The preload is 2 mm from a free length of 180 mm, giving 178 mm installed length, see fig 4.

SETUP DATA

Recommended set-up

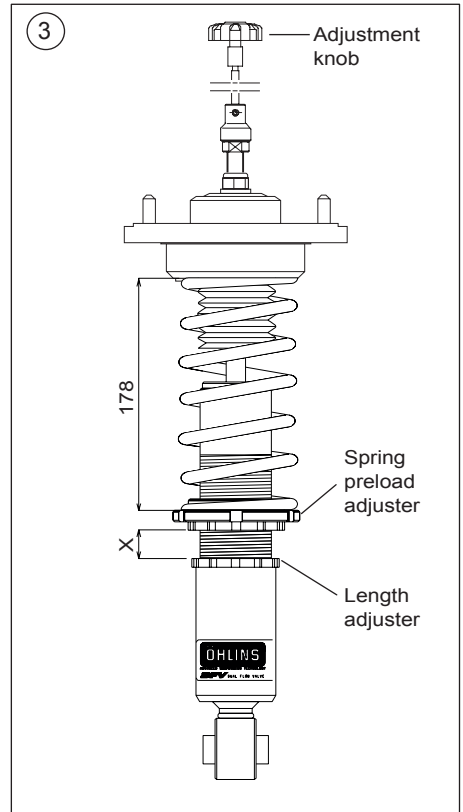
Setting adjustment		
Track	0-7	clicks
Winding road	5-10	clicks
Street	10-20	clicks
Spring preload	2	mm
Height adjuster (X)	14	mm

Recommended spring

49180-27 (90N/mm)

Vehicle Height

With the spring preload adjuster and height adjuster set to the recommended position, the vehicle is lowered approximately 25 mm when compared to the original suspension. Depending on car model and equipment, the spring preload and vehicle height may vary. As the preload or height adjuster is turned one rotation, the position moves 1.5 mm. Adjust the spring preload or height adjuster until you have



reached your desired ride height. Make sure that the spring is always preloaded.

⚠ Warning!

The spring preload adjustment range is 0-5 mm. Never adjust the spring preload beyond 5 mm preload as that may cause the spring to coil bind.

Öhlins products are subject to continuous improvement and development, therefore, although these instructions include the most up-to-date information available at the time of printing, minor updates may occur.

To find the latest information contact an Öhlins distributor. Please contact Öhlins if you have any questions regarding the contents in this document.

Part no. MI_SUS MX00S1_rear
Issued 2023-11-08

© Öhlins Racing AB. All rights reserved. Any reprinting or unauthorized use without the written permission of Öhlins Racing AB is prohibited.

Öhlins Racing AB
Box 722
S-194 27 Upplands Väsby, Sweden
Phone +46 8 590 025 00
fax +46 8 590 025 80



www.ohlins.com